

Masoneilan* Valves 496 Series

Position Switches and Transmitters

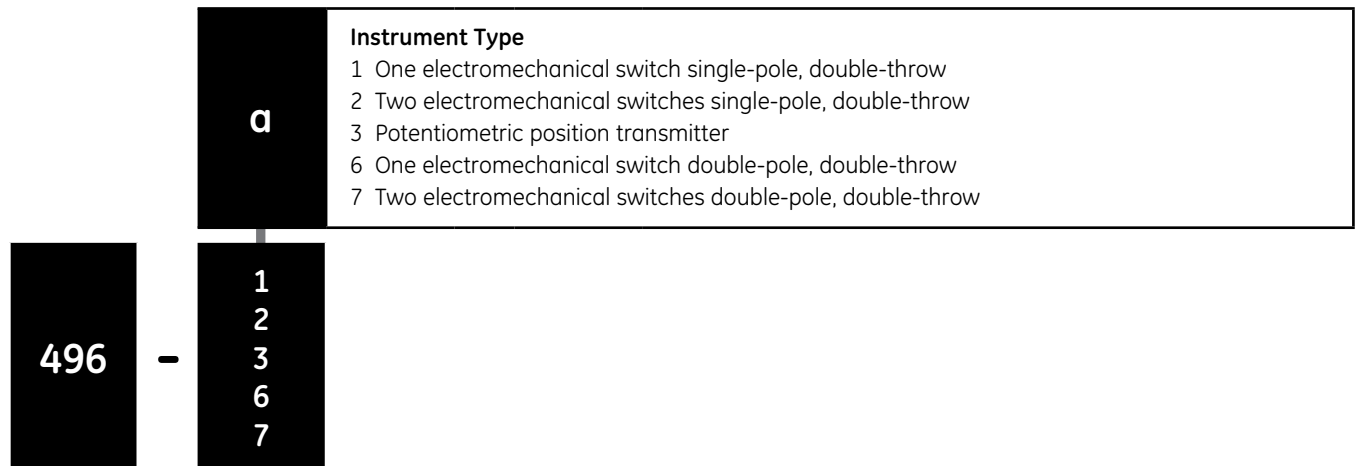


imagination at work

Numbering System

US design

Series Identification 496-a



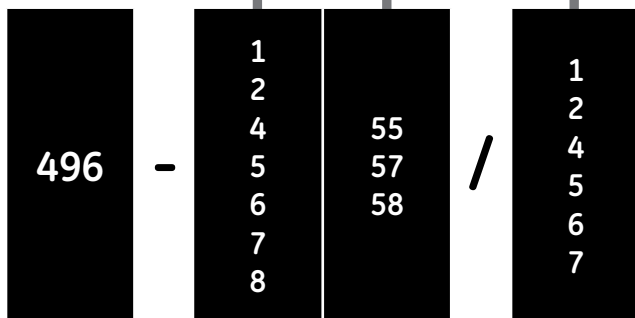
Numbering System

European design Series Identification 496-ab/c

a	Instrument Type 1 One electromechanical switch single-pole, double-throw 2 Two electromechanical switches single-pole, double-throw 4 One proximity detector switch 5 Two proximity detector switches 6 One electromechanical switch double-pole, double-throw 7 Two electromechanical switches double-pole, double-throw 8 Opto-electronic position transmitter
----------	--

b	Protection 55 Weatherproof 57 Explosion-proof and weatherproof (ATEX) 58 Intrinsically safe and weatherproof (ATEX) Without indication, the instrument is explosion-proof and weatherproof.
----------	--

c	Additional Switch (if any), for 496-8 Model only 1 One electromechanical switch single-pole, double-throw 2 Two electromechanical switches single-pole, double-throw 4 One proximity detector switch 5 Two proximity detector switches 6 One electromechanical switch double-pole, double-throw 7 Two electromechanical switches double-pole, double-throw This single digit, together with the oblique stroke preceding it, is only used in the case of transmitters provided with additional on-off indication.
----------	---



Note: Among the numerous combinations mentioned above, some may not be available or have a level of protection conforming to all the standards. Consult GE Energy for confirmation.

Electromechanical Switches

496-1 & 496-2
496-6 & 496-7

Material

Body and cover:

Anodized aluminum, epoxy or polyurethane painted.

Option: 316L type stainless steel with passivation.

Shaft: stainless steel.

O-ring seals: Buna® N.

No part made of copper or copper bearing alloy is exposed to the atmosphere.

Stroke

Maximum rotary travel: 90°

Linear travel: 12 mm to 102 mm (1/2" – 4") through a linkage. Rotary or linear travel to be specified when ordering separate instruments.

Electrical Data

Microswitches: single pole, double throw, silver plated contacts, individually actuated by an adjustable cam.

One, two or four microswitches can be used.

Ratings:

Suitable for explosionproof and weatherproof models only.

Circuit type	Voltage	Current
Resistive load	110/125 VDC	0.24 A
	220 VDC	
	24/30 VDC	1.2 A
	48 VDC	1 A
	115 VAC	
	250 VDC	
	125 VDC	
	28 VDC	25 A
Inductive load	110/125 VDC	0.018 A
	220 VDC	0.6 A
	24/30 VDC	
	48 VDC	0.5 A
	115 VAC	1 A
	28 VDC	10 A
	125 VAC	
	250 VAC	
	480 VAC	
250 VAC	15 A	
Motor (US model only)	28 VDC	5 A
Lamp (US model only)	28 VDC	3 A

Connections: 3/4" NPT

Other optional connection types are available: 1/2" NPT, M20, PG 16

Ratings

Temperature range: -55°C to +85°C (-67°F to +185°F), upon the type of switch and the approval used.

Enclosure Rating: IP 65 / IP 67 according to EN 60529
NEMA 4 and 4X

Approvals

ATEX Approvals (94/9/EC Directive)

Explosionproof:

II 2 G/D

Ex d IIC T6 and Ex d IIC T5

Ex tD A21 IP65/IP67

Maximum ambient and surface temperatures depend upon the type of switch used.

Intrinsic Safety:

Suitable for 496-1 & 496-2 models only

II 1 GD

Ex ia IIC T6 and Ex ia D20

Maximum ambient and surface temperatures depend upon the type of switch used.

IP 65/67

FM Approvals

Explosionproof:

Class I, Div 1, Groups B, C and D

Dust Ignition:

Class II, III, Div 1, Groups E, F and G

CSA Approvals

Class I, Groups B, C and D

Class II, Groups E, F and G

Class III

Suitable for 496-1 & 496-2 models only

Class I, Div 2, Groups A, B, C and D

Performance

Differential gap (percent of full scale):

Rotary valves: 1.5 percent

Linear motion valves:

Travel	Differential gap
12 mm (1/2")	4 percent
25 mm (1")	3 percent
50 mm (2")	1.5 percent
100 mm (4")	1.5 percent

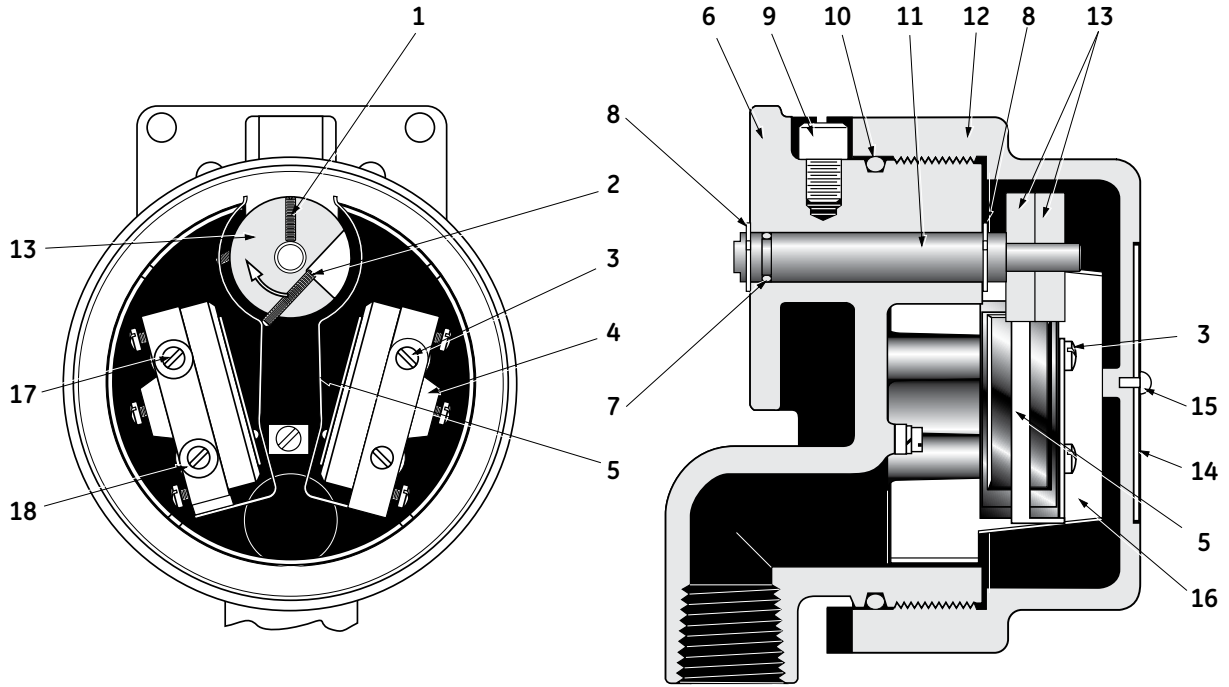
Repeatability: 0.2 percent

Electromechanical Switches

496-1 & 496-2

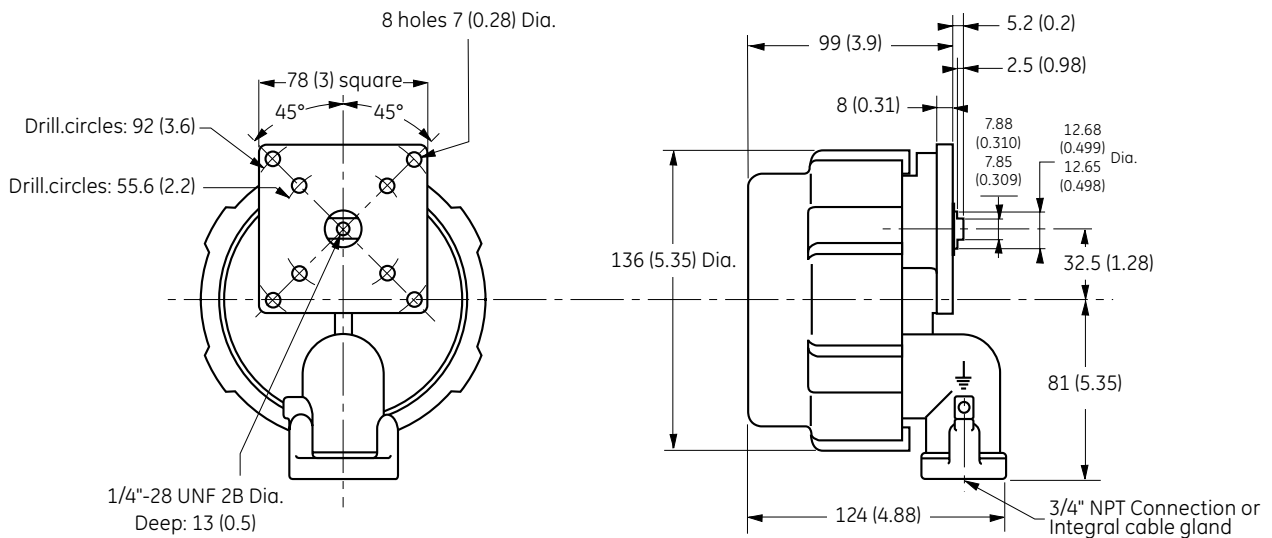
496-6 & 496-7

Part Reference



Ref. N°.	Part Name	Ref. N°.	Part Name	Ref. N°.	Part Name	Ref. N°.	Part Name
1	Grub screw	6	Housing	11	Shaft	16	Insulator
2	Adjusting screw	7	O-Ring	12	Cover	17	Fixing screw
3	Fixing screw	8	Circlip	13	Cam	18	Washer
4	Microswitch	9	Security screw	14	Serial plate	19	Spacer (not shown)
5	Lever	10	O-Ring	15	Drive screw		

Dimensions - mm (inches)



Material

Body and cover:

Anodized aluminum, epoxy or polyurethane painted.

Shaft: stainless steel.

O-ring seals: Buna® N.

No part made of copper or copper bearing alloy is exposed to the atmosphere.

Stroke

Maximum rotary travel: 133°

Linear travel: 12 mm to 102 mm (1/2" – 4") through a linkage. Rotary or linear travel to be specified when ordering separate instruments.

Direction of rotation: clockwise or counter-clockwise.

Ratings

Temperature range: -15°C to +40°C (5°F to +104°F)

Enclosure Rating: NEMA 4 and 4X

Approvals

FM Approvals

Explosionproof: Class I, Div 1, Groups B, C and D

Dust Ignition: Class II, III, Div 1, Groups E, F and G

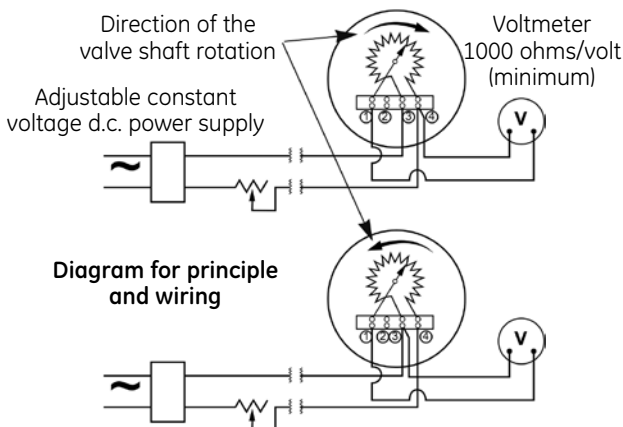
CSA Approvals

Class I, Groups B, C and D

Class II, Groups E, F and G

Class III

Operational Diagram



Electrical Data

Potentiometer:

Electrical angle: 320°

Total resistance: 1000 Ohms ±10 percent

Voltage gain:

Variable depending on the type of valve and travel.

Maximum supply voltage: 30 VDC

Connections:

The standard cable inlet is integral with the body and includes a clamping device suitable for unarmoured cables of 6 to 15 mm diameter.

3/4" NPT is available on request, with the following options:

- Threaded inlet for unarmoured cables of 15 to 17 mm diameter
- Threaded inlet for armoured cables (Consult GE giving details of the cable dimensions)

Performance

Accuracy:

±1 percent of output span, for a 50° nominal input angle, including combined effects of linearity, hysteresis and deadband.

Temperature drift:

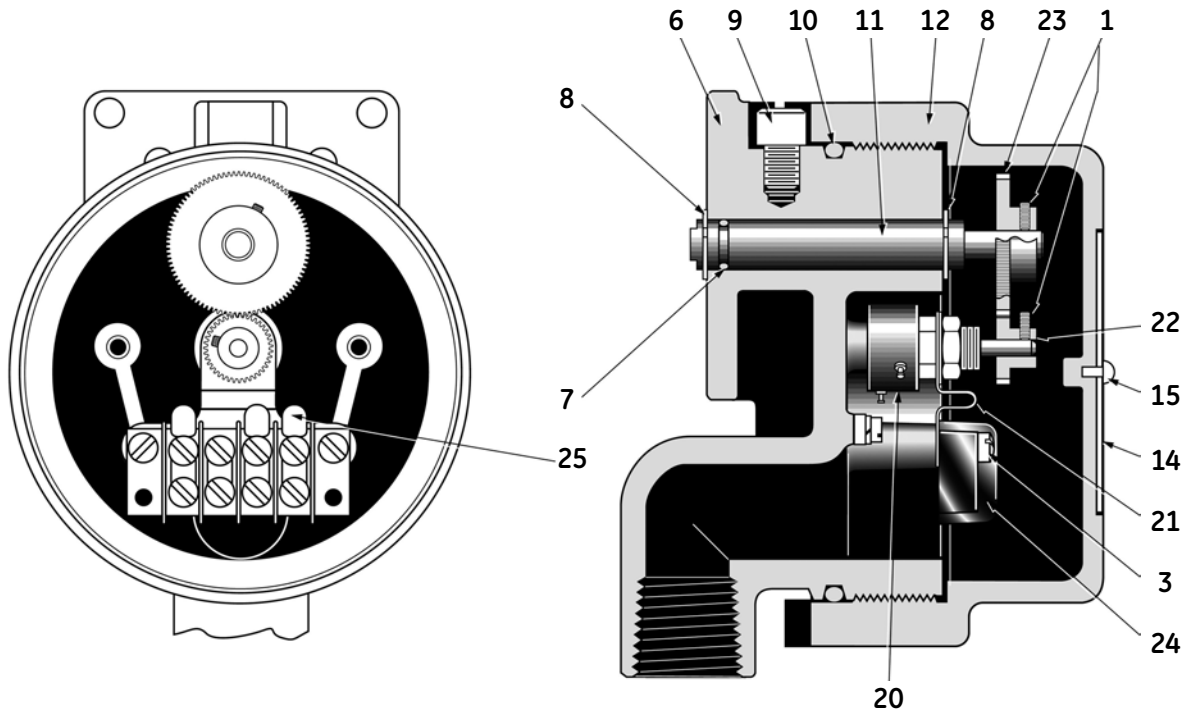
0.04 percent of output span per degree Celsius.

Zero is set by orientation of large gear on the rotary shaft from the position of the potentiometer shaft corresponding to the selected zero.

Span is set either by adjusting the supply voltage to the desired value or by putting an adjustable resistance into one of the supply leads of the transmitter (or of each of position transmitter if several devices are connected to a single non-adjustable power supply).

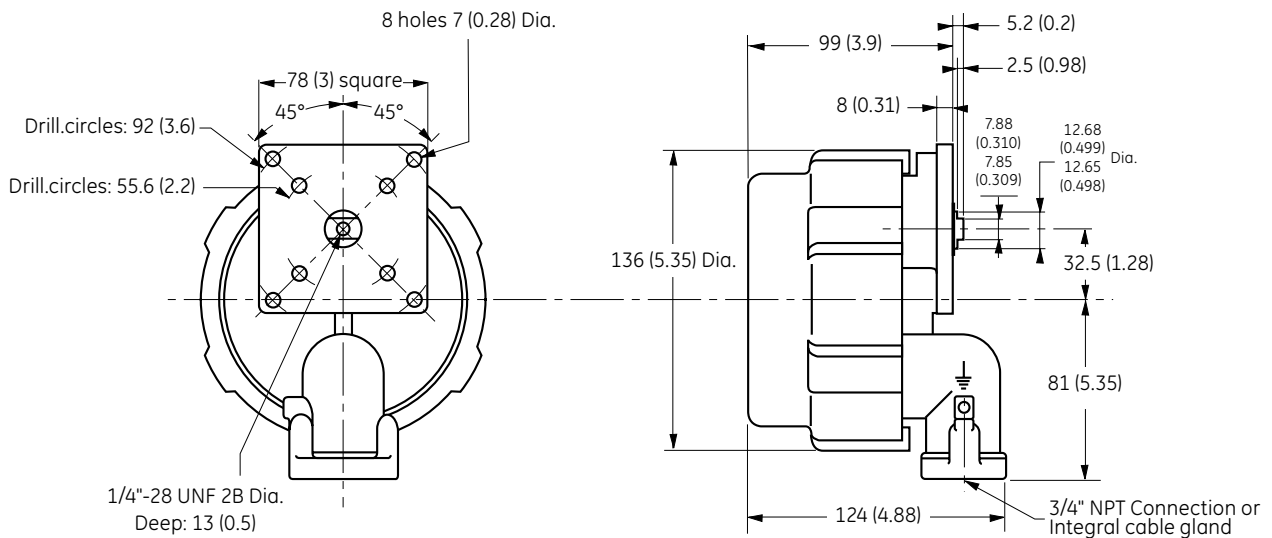
Reversal of action is carried out by changing over the output terminal from 3 to 4 and vice versa.

Part Reference



Ref. N°.	Part Name	Ref. N°.	Part Name	Ref. N°.	Part Name	Ref. N°.	Part Name
1	Grub screw	9	Security screw	15	Drive screw	24	Terminal Strip
3	Fixing screw	10	O-Ring	20	Potentiometer	25	Connections
6	Housing	11	Shaft	21	Bracket		
7	O-Ring	12	Cover	22	Pinion		
8	Circlip	14	Serial plate	23	Pinion		

Dimensions - mm (inches)



Material

Body and cover:

Anodized aluminum, epoxy or polyurethane painted.

Option: 316L type stainless steel with passivation.

Shaft: stainless steel.

O-ring seals: Buna® N.

No part made of copper or copper bearing alloy is exposed to the atmosphere.

Stroke

Maximum rotary travel: 90°

Linear travel: 25 mm to 102 mm (1" – 4") through a linkage. Rotary or linear travel to be specified when ordering separate instruments.

Ratings

Temperature range: upon the type of switch and the approval used.

Enclosure Rating: IP 65 / IP 67 according to EN 60529

Approvals

ATEX Approvals (94/9/EC Directive)

Explosionproof:

II 2 G/D

Ex d IIC T6 and Ex d IIC T5

Ex tD A21 IP65/IP67

Maximum ambient and surface temperatures depend upon the type of switch used.

Intrinsic Safety:

II 1G, II 2G Ex ia IIC

II 1D Ex ia D 20

Maximum ambient and surface temperatures depend upon the type of switch used.

IP 65/67

Consult GE Energy for the compliance with North American standards.

Electrical Data

Detector:

By flux variation actuating a power relay located outside the hazardous area, by means of an oscillator and an amplifier.

One or two detectors can be used.

Ratings:

Determined by the power relay selected, not supplied with the device.

Connections:

3/4" NPT

Other optional connection types are available:

1/2" NPT, M20, PG 16

Performance

Differential gap (percent of full scale):

Rotary valves: 1.5 percent

Linear motion valves:

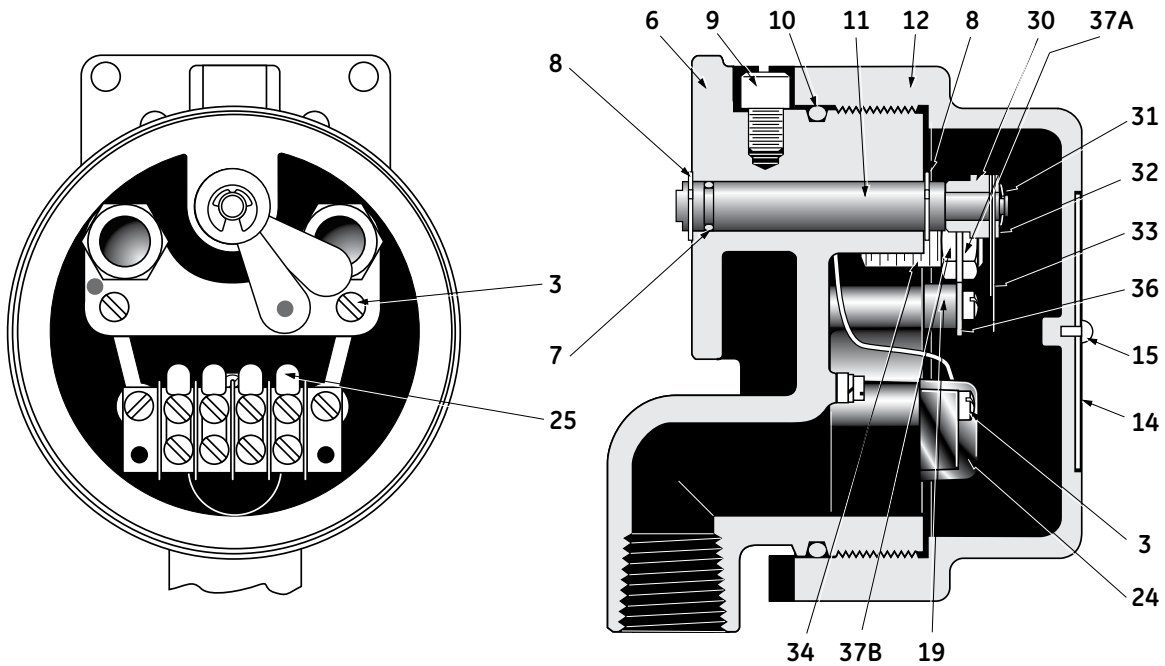
Travel	Differential gap
25 mm (1")	3 percent
50 mm (2")	1.5 percent
100 mm (4")	1.5 percent

Repeatability: 0.3 percent

Proximity Switches

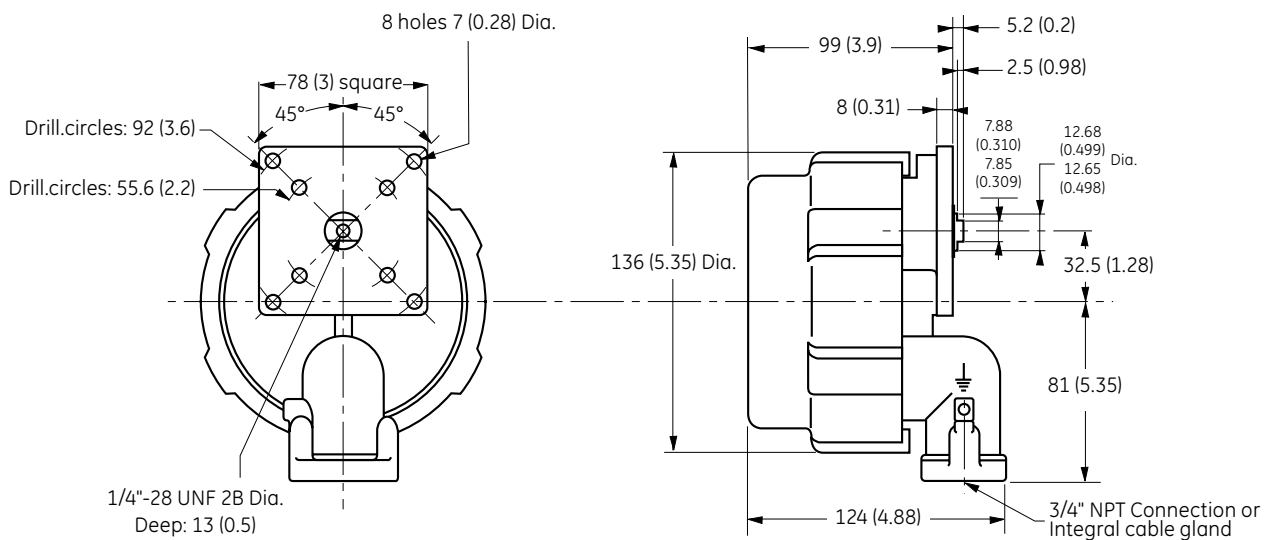
496-4 & 496-5

Part Reference



Ref. N°.	Part Name	Ref. N°.	Part Name	Ref. N°.	Part Name	Ref. N°.	Part Name
3	Fixing screw	11	Shaft	25	Connections	34	Detector
6	Housing	12	Cover	29	Circlip	35	Spacer (not shown)
7	O-Ring	14	Serial plate	30	Spacer	36	Detector bracket
8	Circlip	15	Drive screw	31	Circlip		
9	Security screw	19	Spacer	32	Washer		
10	O-Ring	24	Terminal strip	33	Arm		

Dimensions - mm (inches)



Material

Body and cover:

Anodized aluminum, epoxy or polyurethane painted.

Option: 316L type stainless steel with passivation.

Shaft: stainless steel.

O-ring seals: Buna® N.

No part made of copper or copper bearing alloy is exposed to the atmosphere.

Stroke

Rotary travel: 25° to 90°

Linear travel: 12 mm to 102 mm (1/2" – 4") through a linkage. Rotary or linear travel to be specified when ordering separate instruments.

Direction of rotation: clockwise or counterclockwise.

Ratings

Temperature range: -40°C to +80°C (-40°F to +176°F)

Enclosure Rating: IP 65 / IP 67 according to EN 60529

Approvals

ATEX Approvals (94/9/EC Directive)

Explosionproof:

II 2 G/D

Ex d IIC T6 (Tamb. = -40°C to +75°C)

Ex tD A21 IP65/IP67 T85°C

Ex d IIC T5 (Tamb. = -40°C to +80°C)

Ex tD A21 IP65/IP67 T100°C

Intrinsic Safety:

II 1 GD

Ex ia IIC T6 (Tamb. = -40°C to +70°C)

Ex ia IIC T5 (Tamb. = -40°C to +80°C)

Ex ia D 20 T100°C (Tamb. = -40°C to +80°C)

Excepted 496-858/4 and 496-858/5 models

II 1G or II 2G Ex ia IIC

II 1D Ex ia D 20

Maximum ambient and surface temperatures depend upon the type of switch used

IP 65/67

Consult GE Energy for the compliance with North American standards.

Performance

Linearity:

- ≤ 0.5 percent (rotary angle from 25° to 60°)

- ≤ 0.3 percent (rotary angle from 60° to 90°)

Hysteresis: ≤ 0.1 percent

Dead band: ≤ 0.1 percent

Repeatability: ≤ 0.1 percent

Accuracy: ≤ 0.5 percent

Accessories

The body can optionally be equipped either with one or two micro-switches or with one or two proximity detectors as described on pages 2 & 3.

Electrical Data

2-wire instrument

Output signal: 4-20 mA

Supply voltage: 9 to 36 VDC (explosion-proof)
9 to 28 VDC (intrinsic safety)

Maximum load impedance:

1350 Ω for supply under 36 V

950 Ω for supply under 28 V

Zero and span settings:

By auxiliary internal potentiometers.

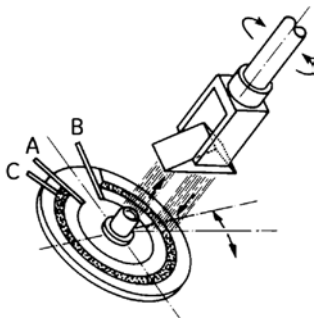
Connections:

3/4" NPT

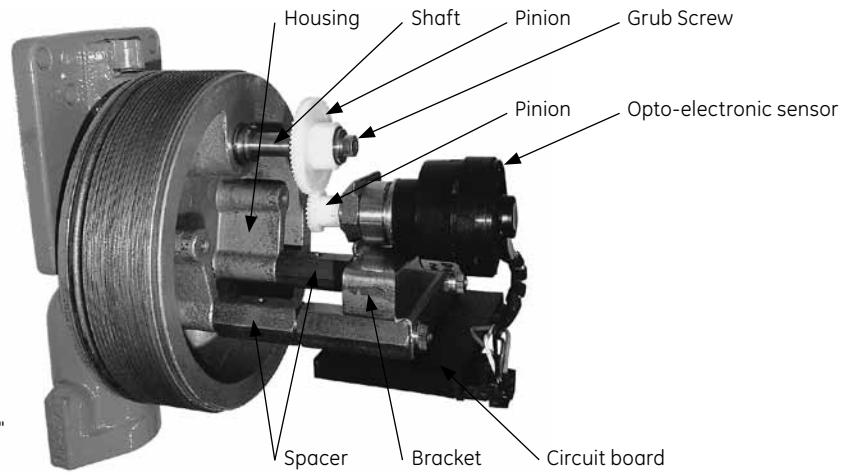
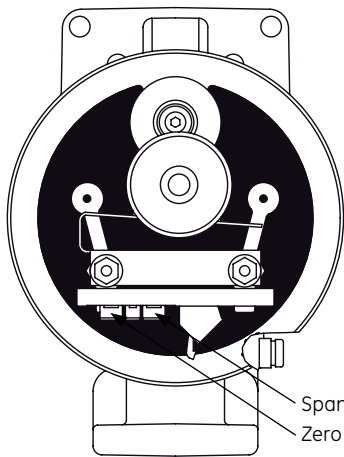
Other optional connection types are available: 1/2" NPT, M20, PG 16

An adapter in Y is mounted on 496-8 models with additional function.

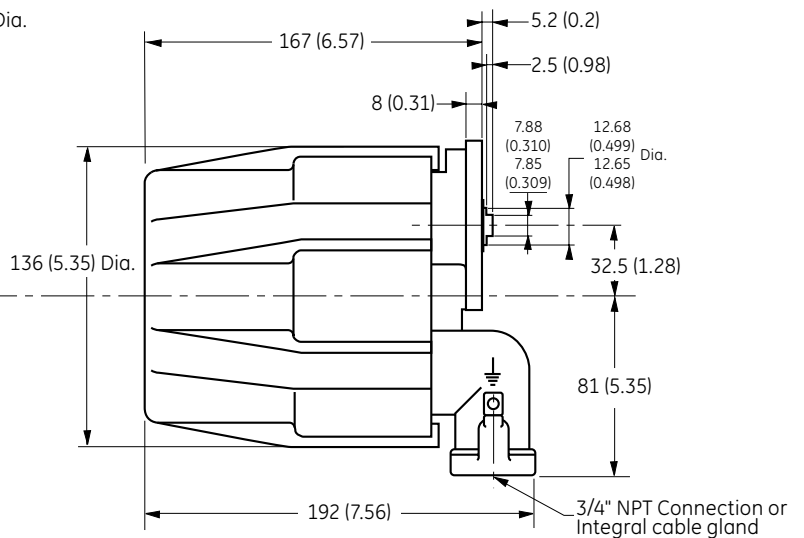
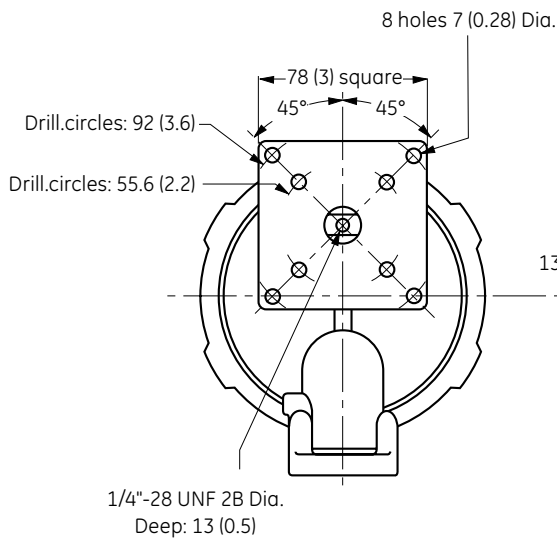
Operational Diagram



A prism, mechanically driven by the valve plug, follows the plug displacement through a system of gears and (for a reciprocating valve) a linkage. A light beam, emitted by a L.E.D. which is fixed to the housing, is reflected by the prism and impacts on a stationary disc. This disc is equipped with three tracks. One is resistive, another conductive, and in between is a photo-sensitive track. The light beam reflected onto the photo-sensitive track creates a bridge between the other two tracks and serves as a potentiometer slide by modulating the voltage at the point C for a supply voltage V_A-V_B . The variable voltage thus generated V_A-V_C is converted electronically to give a 4-20 mA signal. This type of detector is frictionless, non-sparking- and free from electrical noise. It is inherently intrinsically safe, insensitive to vibrations- and has an unequalled life span.



Dimensions - mm (inches)



DIRECT SALES OFFICE LOCATIONS

BELGIUM

Phone: +32-2-344-0970
Fax: +32-2-344-1123

BRAZIL

Phone: +55-11-2146-3600
Fax: +55-11-2146-3610

CHINA

Phone: +86-10-5689-3600
Fax: +86-10-5689-3800

FRANCE

Courbevoie
Phone: +33-1-4904-9000
Fax: +33-1-4904-9010

GERMANY

Ratingen
Phone: +49-2102-108-0
Fax: +49-2102-108-111

INDIA

Mumbai
Phone: +91-22-8354790
Fax: +91-22-8354791

New Delhi

Phone: +91-11-2-6164175
Fax: +91-11-5-1659635

ITALY

Phone: +39-081-7892-111
Fax: +39-081-7892-208

JAPAN

Chiba
Phone: +81-43-297-9222
Fax: +81-43-299-1115

KOREA

Phone: +82-2-2274-0748
Fax: +82-2-2274-0794

MALAYSIA

Phone: +60-3-2161-0322
Fax: +60-3-2163-6312

MEXICO

Phone: +52-55-3640-5060

THE NETHERLANDS

Phone: +0031-15-3808666
Fax: +0031-18-1641438

RUSSIA

Veliky Novgorod
Phone: +7-8162-55-7898
Fax: +7-8162-55-7921

Moscow

Phone: +7 495-585-1276
Fax: +7 495-585-1279

SAUDI ARABIA

Phone: +966-3-341-0278
Fax: +966-3-341-7624

SINGAPORE

Phone: +65-6861-6100
Fax: +65-6861-7172

SOUTH AFRICA

Phone: +27-11-452-1550
Fax: +27-11-452-6542

SOUTH & CENTRAL

AMERICA AND THE CARIBBEAN
Phone: +55-12-2134-1201
Fax: +55-12-2134-1238

SPAIN

Phone: +34-93-652-6430
Fax: +34-93-652-6444

UNITED ARAB EMIRATES

Phone: +971-4-8991-777
Fax: +971-4-8991-778

UNITED KINGDOM

Wooburn Green
Phone: +44-1628-536300
Fax: +44-1628-536319

UNITED STATES

Massachusetts
Phone: +1-508-586-4600
Fax: +1-508-427-8971

Corpus Christi, Texas

Phone: +1-361-881-8182
Fax: +1-361-881-8246

Deer Park, Texas

Phone: +1-281-884-1000
Fax: +1-281-884-1010

Houston, Texas

Phone: +1-281-671-1640
Fax: +1-281-671-1735

California

Phone: +1-562-941-7610
Fax: +1-562-941-7810



* Masonellan, Camflex, MiniTork and V-Max are registered trademark of the General Electric Company. Other company names and product names used in this document are the registered trademarks or trademarks of their respective owners.

© 2012 General Electric Company. All rights reserved.

GEA19710 07/2012
[Formerly Masonellan CS 496]